
Wooden Floor Kit Assembly Guide

tradetested

TRADE PRICES DELIVERED NATIONWIDE

Notes

The timber used to manufacture this shed has been treated to protect it against rot and decay. Ensure you wash your hands after use with warm soapy water. If you have skin allergies, we recommend you use gloves when handling the timber

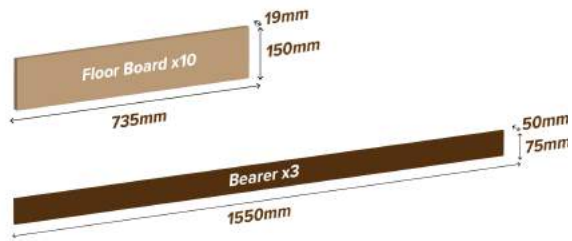
NATURAL MOVEMENT OF TIMBER

As timber is a naturally grown product, shrinkage of the boards can occur after installation. This is perfectly natural as the floor settles down after installation. As boards shrink you may experience small gaps between some boards. This movement occurs between hot and cold weather as the board take up, and release moisture in the atmosphere. The floor will still perform well during these changes. Screws may also move slightly as the flooring shrinks down after a few months, causing squeaking and some movement in the boards. To rectify, tighten the screws in further with a screw driver.

Parts List & Dimensions (GS501-GS505)

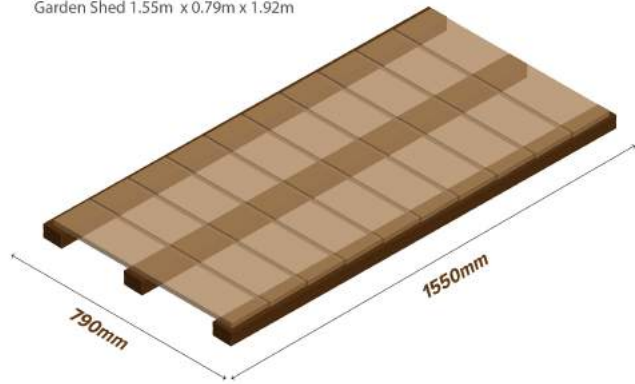
GS501

Garden Shed 1.55m x 0.79m x 1.92m



GS501

Garden Shed 1.55m x 0.79m x 1.92m



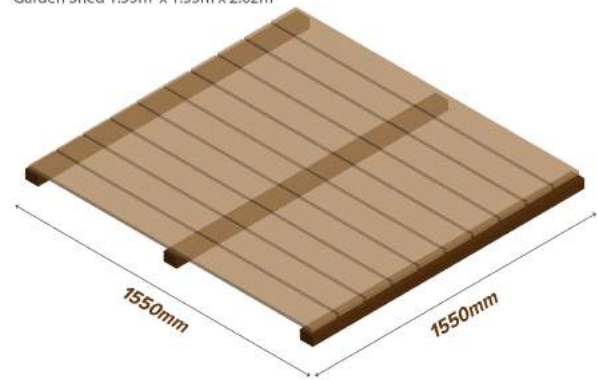
GS502, GS504

Garden Shed 1.55m x 1.55m x 2.02m



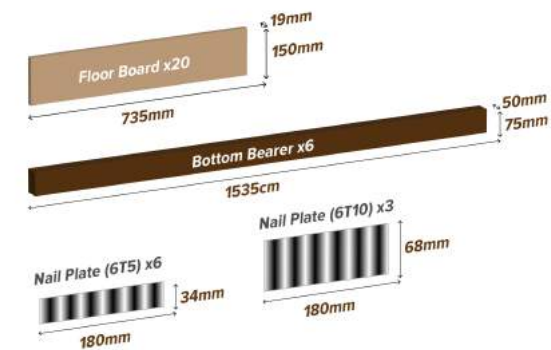
GS502, GS504

Garden Shed 1.55m x 1.55m x 2.02m



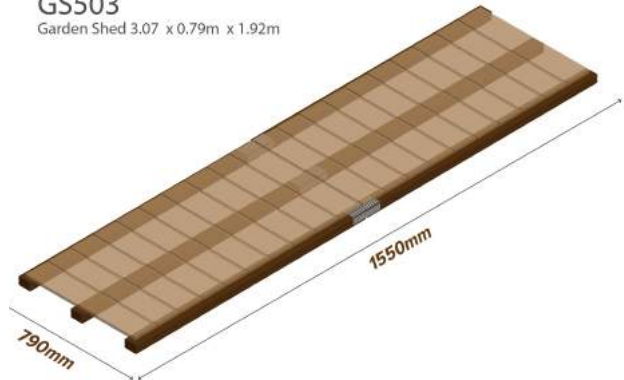
GS503

Garden Shed 3.07 x 0.79m x 1.92m



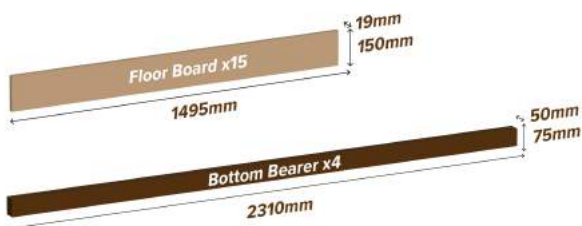
GS503

Garden Shed 3.07 x 0.79m x 1.92m



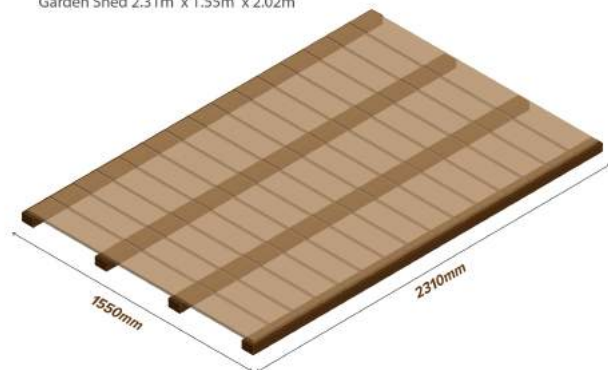
GS505

Garden Shed 2.31m x 1.55m x 2.02m



GS505

Garden Shed 2.31m x 1.55m x 2.02m



Parts List & Dimensions (GS509-GS511)

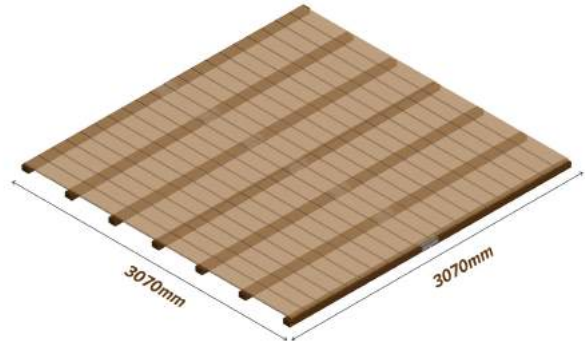
GS509

Garden Shed 3.07m X 3.07m X 2.17m



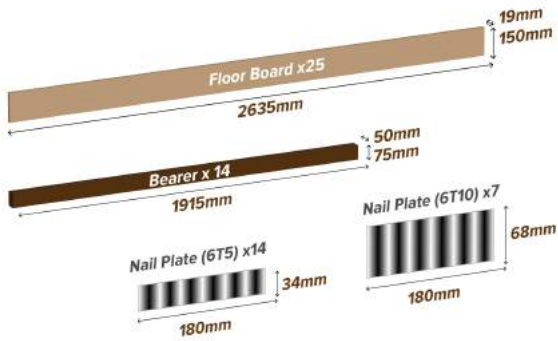
GS509

Garden Shed 3.07m X 3.07m X 2.17m



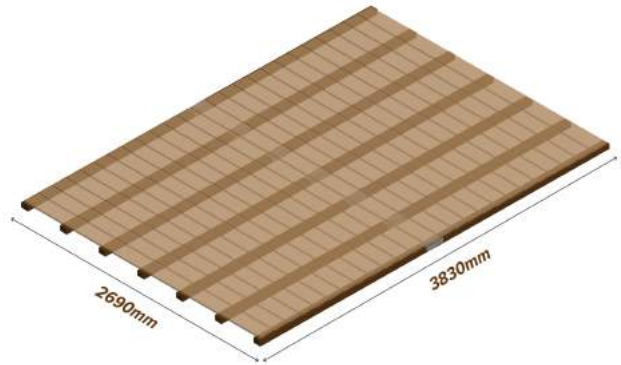
GS510

Garden Shed 3.83 X 2.69m X 2.17m



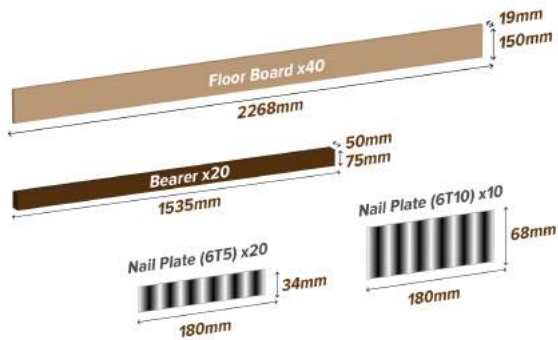
GS510

Garden Shed 3.83 X 2.69m X 2.17m



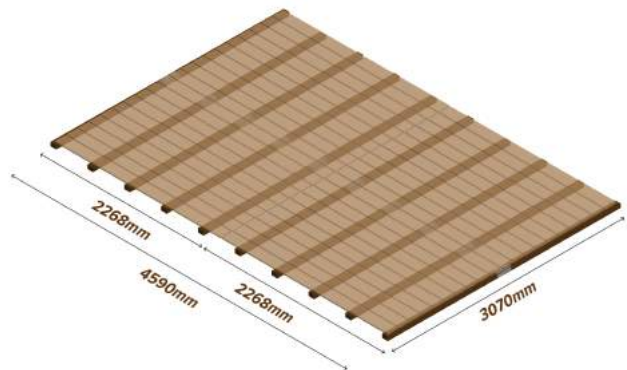
GS511

Garden Shed 3.07m X 4.59m X 2.17m



GS511

Garden Shed 3.07m X 4.59m X 2.17m



Parts List & Dimensions (GS506-GS508)

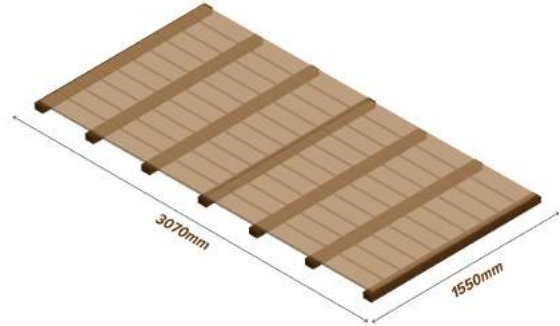
GS506

Garden Shed 1.55m x 3.07m x 1.82m



GS506

Garden Shed 1.55m x 3.07m x 1.82m



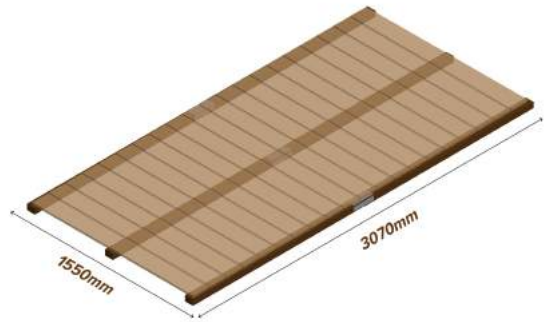
GS507

Garden Shed 3.07m x 1.55m x 2.17m



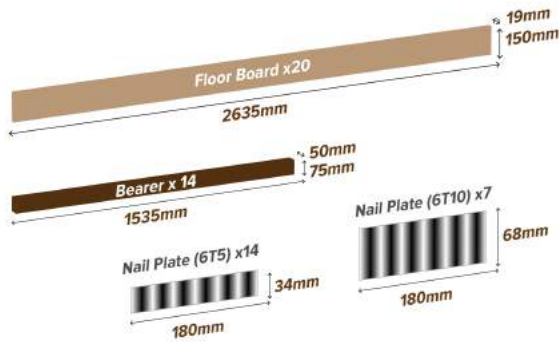
GS507

Garden Shed 3.07m x 1.55m x 2.17m



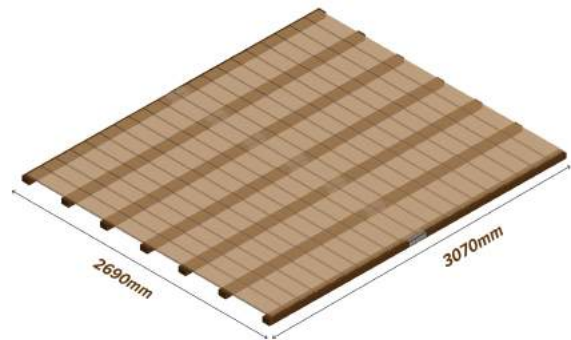
GS508

Garden Shed 3.07m X 2.69m X 2.17m



GS508

Garden Shed 3.07m X 2.69m X 2.17m



1. THE BEARERS

Assemble all the bearers on a flat even surface. These should be assembled with the 50mm face pointing downwards. Place any other bearers evenly across the site. The quantity of bearers you have will vary depending on the size of your shed.

If your flooring kit has central bearers such as the photo below, you will need to ensure that they are placed evenly between the outside bearers.



Four bearers with the first three floor boards.



For sheds 3.5m and longer you will need to use the nail plates to extend the bearers.

2. PLACING THE FIRST FLOORBOARDS

The first floor board is placed 25mm from the end of the two outside bearers and 25mm in from the side edges (see image below). The 25mm is what your shed will sit on. So leaving this space of 25mm creates a rebate and will increase your level of water protection inside your shed.

Place a temporary nail on this floorboard to hold this in place.



Keep the 25mm rebate in place with a nail

3. FINISH PLACING THE FLOORBOARDS

Continue to place but not nail all the floorboards along the top the bearers. Don't forget to leave a 25mm gap at all four sides.



4. FINAL CHECK

After placing all the floorboards on the bearers, measure the floor from one corner to the opposite corner diagonally. These measurements should be equal. However if not, this can be easily remedied by adjusting the bearers and floorboards slightly until the floor is square. Don't forget to leave the 25mm gap!



5. SECURE THE FLOORBOARDS

You can now use the nails provided with your kit to secure all floorboards onto the bearers. There will be enough nails to use two nails per board into each bearer.

At this stage your flooring will be completed and you can proceed with assembling your shed so that it sits on top of the bearers. To attach the shed to the floor simply use the anchor brackets and tie down hooks provided.



Inside the shed use screws to attach the corner bracket into the bearers.

**Please do not hesitate to give our support team a call
if you have any further questions or concerns.
You can reach us 7 days on 0800 800 880.**